

Throttle/Check Valves, Model : TG/TCG



the right connection
the right environment

Ref. No : H04737 Release March 2018 (Dimensions in mm)

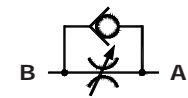
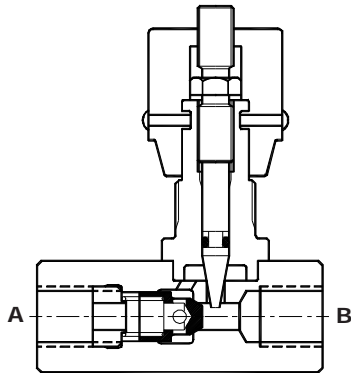
Description

The Valve allows accurate adjustment of flow by throttling action. The throttling can be varied by rotation of the Hand knob.

The valve is also equipped with a built - in check valve for free reverse flow.



Section



Hydraulic Symbol

Unit Dimensions

In-line port (G) mounting

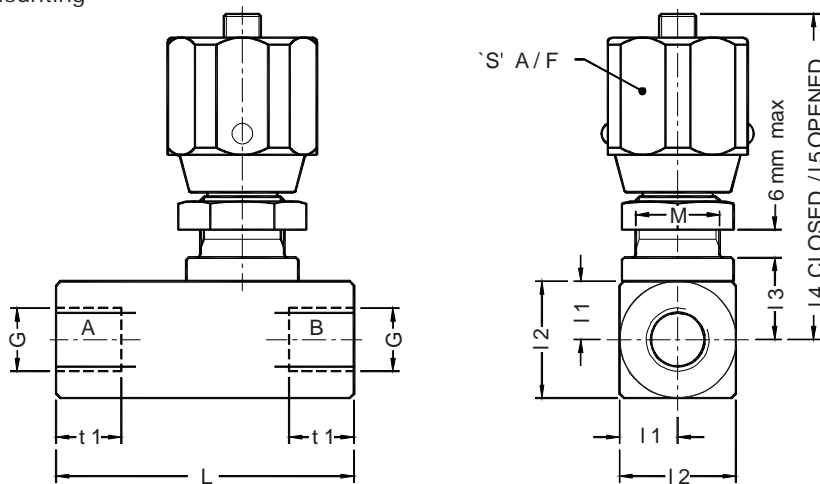
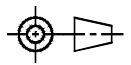


Table 1

Ordering Code	Size	G	I1	I2	I3	I4	I5	M	t1	S	L
TCG02-2.0	NG-06	G 1/4	12.5	25	17.5	69.5	76.5	M18x1.5	12	30	64
TCG03-2.0	NG-08	G 3/8	15.0	30	20.0	72.0	79.0	M18x1.5	13	30	70
TCG04-2.0	NG-10	G 1/2	17.5	35	23.5	89.0	99.0	M22x1.5	14	41	80
TCG06-2.0	NG-15	G 3/4	22.5	45	28.5	94.0	104.0	M22x1.5	17	41	95
TCG08-2.0	NG-20	G1	25.0	50	35.0	128.0	145.0	M36x2.0	18	50	125
TCG10-2.0	NG-25	G1.1/4	30.0	60	40.0	133.0	150.0	M36x2.0	21	50	142
TCG12-2.0	NG-30	G1.1/2	35.0	70	45.0	138.0	155.0	M36x2.0	22	50	150

Throttle/Check Valves, Model : TG/TCG



the right connection
the right environment

Ref. No : H04737 Release March 2018 (Dimensions in mm)

In-line Tube

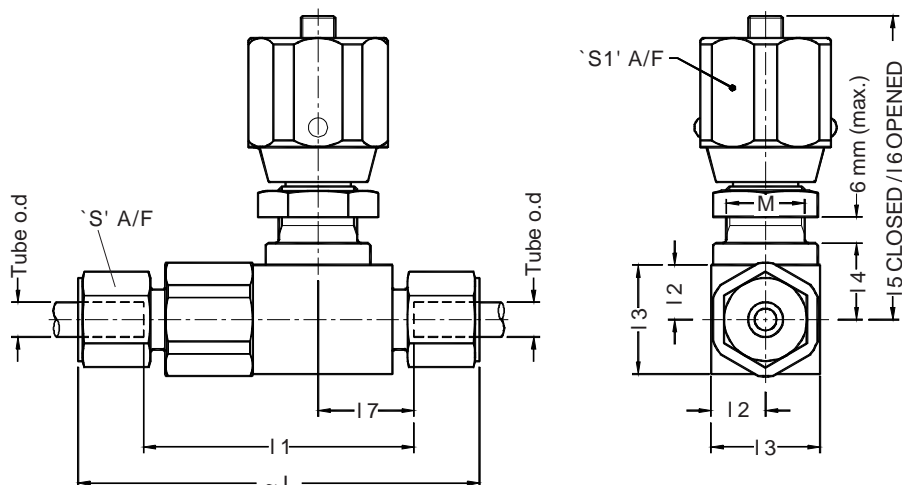


Table 2

Ordering Code	Tube OD	Size	I1	I2	I3	I4	I5	I6	I7	M	S	S1	L
TC06PL-2.0	6-L	NG-06	57.0	12.5	25.0	17.5	69.5	76.5	20.0	M18x1.5	14	30	87.0
TC08PL-2.0	8-L		57.0						20.0		17		87.0
TC06PS-2.0	6-S		61.0						22.0		17		91.0
TC08PS-2.0	8-S		61.0						22.0		19		91.0
TC10PL-2.0	10-L	NG-08	63.0	15.0	30.0	20.0	72.0	79.0	21.0	M18x1.5	19	30	93.0
TC10PS-2.0	10-S		64.0						21.5		22		97.0
TC12PS-2.0	12-S		64.0						21.5		24		97.0
TC12PL-2.0	12-L	NG-10	70.0	17.5	35.0	23.5	89.0	99.0	22.0	M22x1.5	22	41	100.0
TC15PL-2.0	15-L		72.0						23.0		27		102.0
TC14PS-2.0	14-S		74.0						24.0		27		110.0
TC16PS-2.0	16-S		73.0						23.5		30		110.0
TC18PL-2.0	18-L	NG-15	80.5	22.5	45.0	28.5	94.0	104.0	24.5	M22x1.5	32	41	113.5
TC20PS-2.0	20-S		82.5						25.5		36		125.5
TC22PL-2.0	22-L	NG-20	109.0	25.0	50.0	35.0	128.0	145.0	36.5	M36x2.0	36	50	142.0
TC25PS-2.0	25-S		108.0						36.0		46		156.0
TC28PL-2.0	28-L	NG-25	120.0	30.0	60.0	40.0	133.0	150.0	39.5	M36x2.0	41	50	153.0
TC30PS-2.0	30-S		120.0						39.5		50		173.0
TC35PL-2.0	35-L	NG-30	130.0	35.0	70.0	45.0	138.0	155.0	40.5	M36x2.0	50	50	173.0
TC42PL-2.0	42-L		129.0						40.0		60		175.0
TC38PS-2.0	38-S		131.0						41.0		60		193.0

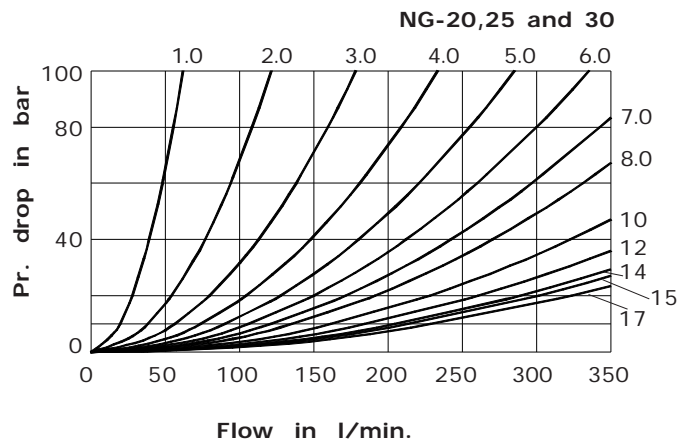
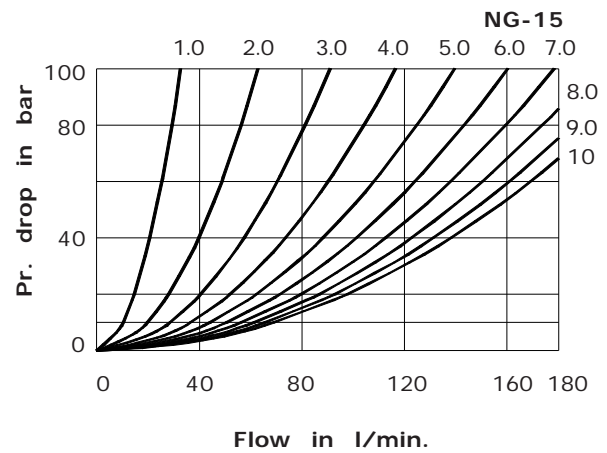
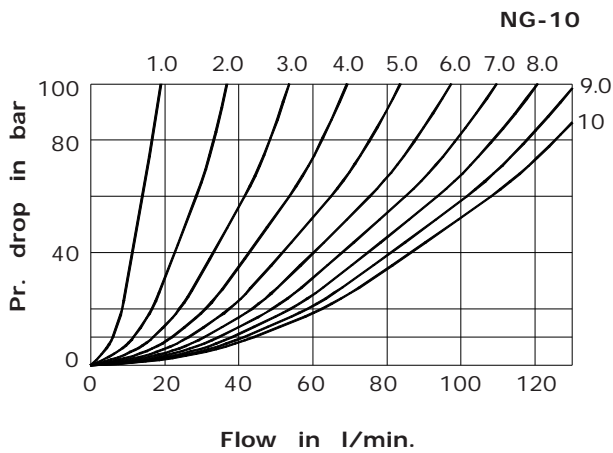
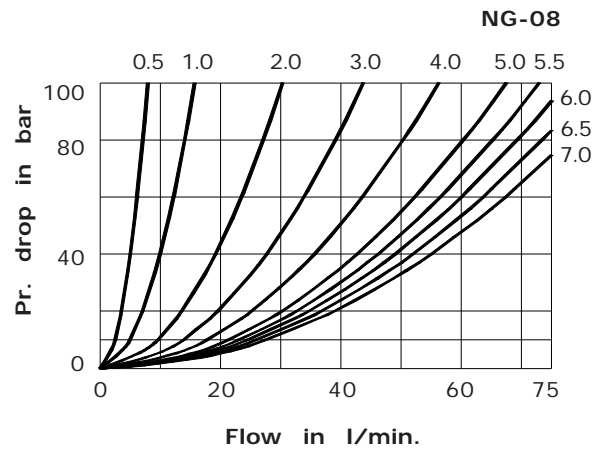
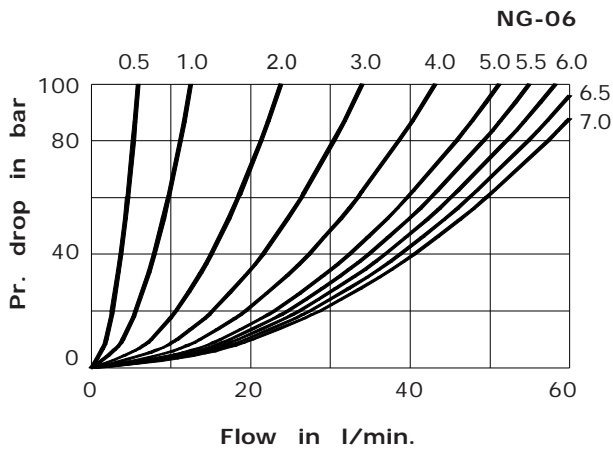
Ordering Code

- Construction Conical throttling spool with rotation of hand knob for flow adjustment. Poppet valve for free reverse flow.
- Mounting style In-line port or tube mounting.
- Mounting position Optional
- Flow direction Adjustable throttled flow from A to B, free flow from B to A as indicated on valve body.
- Operating pressure 315 bar
- Hydraulic medium Mineral Oil.
- Viscosity range 10 cSt to 380 cSt.
- Fluid temperature range -20 °C to +80 °C
- Fluid Cleanliness requirement As per ISO 19/16 or better.
- Nom. flow handling capacity Refer graphs

Expected performance Curves

Oil used : ISO VG 68,
Viscosity : 68 cSt @ 40 °C
Direction of flow : A to B

Graphs below shows
Throttle position (No.of turns) from closed position



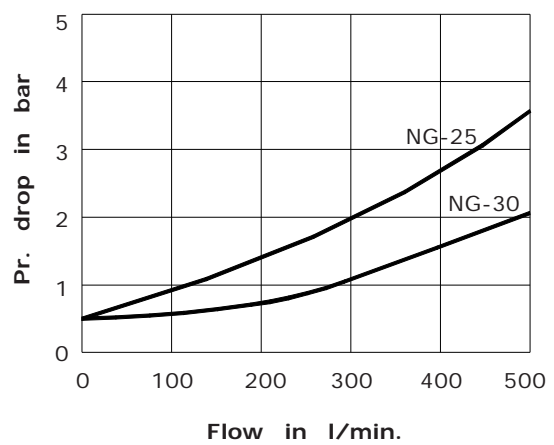
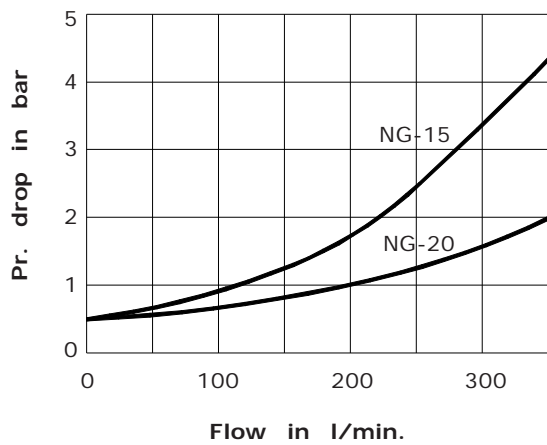
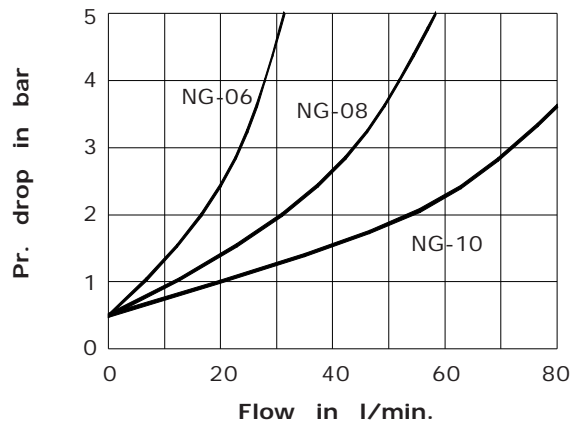
Throttle/Check Valves, Model : TG/TCG



the right connection
the right environment

Ref. No : H04737 Release March 2018 (Dimensions in mm)

Direction of free flow from B' to A'



Ordering Code

